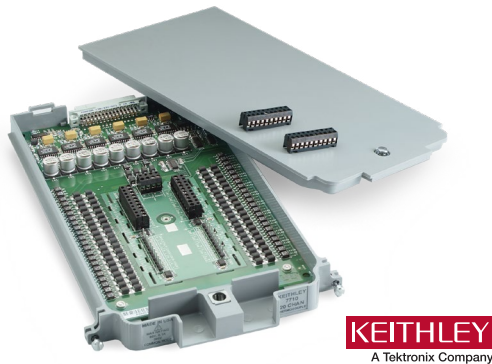


# 7710 20-channel Solid-state Differential Multiplexer

with Automatic CJC

## Datasheet

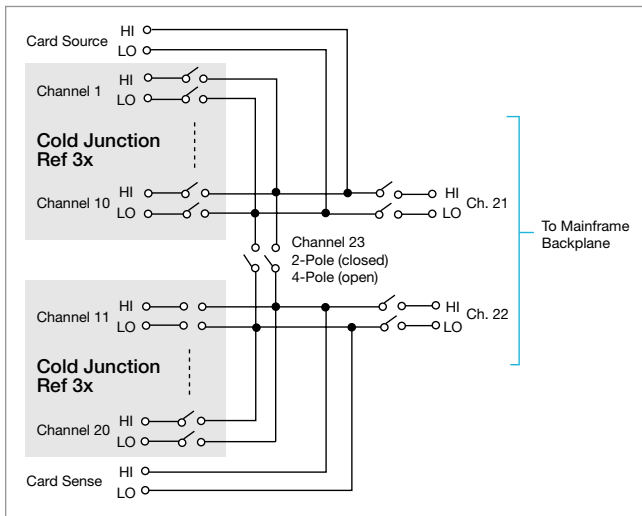


**KEITHLEY**  
A Tektronix Company

The 7710 plug-in module offers 20 channels of 2-pole or 10 channels of 4-pole relay input that can be configured as two independent banks of multiplexers. The relays are solid state, providing long life and low maintenance. Solid-state relays usually have 100 times longer life than mechanical relays. It is ideal for long-term data logging applications as well as for demanding high-speed applications.

### Key Features

- 20 channels for general purpose measurements with scanning speeds up to 800 channels/s
- High speed production or ATE testing up to 500 channels/s
- Long lifetime solid state relays
- Removable screw terminals



### Specifications

#### Capabilities

<b>Maximum Signal Level</b>	Any channel to any channel (1–20) 60 VDC or 42 V rms, 100 mA switched, 6 W, 4.2 VA maximum.
<b>Common Mode Voltage</b>	300 VDC or 300 Vrms (425 V peak) maximum between any terminal and chassis.
<b>Contact Life</b>	>10 <sup>10</sup> operations at cold switching or max signal level (guaranteed by design).
<b>Relay Drive Current</b>	6 mA per channel continuous, 25 mA during initial pulse.
<b>Contact Resistance</b>	<10 Ω per channel or <5 Ω per conductor. Refer to the 7710 User's Guide for measurement considerations when used on the instrument 1 Ω or 10 Ω ranges.
<b>Contact Potential</b>	<3 μV per pair.
<b>Offset Current</b>	<3 nA @ 23°C (per channel); additional 0.13 nA/°C >23°C.
<b>Connector Type</b>	3.5 mm removable screw terminals, #20 AWG wire size.
<b>Isolation Between Any Two Terminals:</b>	>10 <sup>10</sup> Ω @ 23°C, > 8×10 <sup>9</sup> Ω @ 50°C, <100 pF.
<b>Isolation Between Any Terminal and Earth:</b>	>10 <sup>10</sup> Ω, <100 pF.
<b>Crosstalk (CH-CH, 500 kHz, 50 Ω Load):</b>	<–40 dB.
<b>Insertion Loss (50 Ω Source, 50 Ω Load)</b>	<1 dB below 500 kHz.

#### Scanning Speeds (see mainframe specifications for details)

<b>Multiple Channels, Into Memory</b>	7710 Scanning DCV: >800. 7710 Scanning DCV alternating 2WΩ: >400.
---------------------------------------	--

### General

<b>Channels</b>	20 channels of 2-pole relay input. All channels configurable to 4-pole.
<b>Relay Type</b>	Solid state opto-coupled FET.
<b>Actuation Time</b>	<0.5 ms (100 mA load).
<b>Environmental and Safety</b>	<p><b>Operating Environment:</b> Specified for 0° to 50°C. Specified to 80% R.H. at 35°C.</p> <p><b>Storage Environment:</b> –25° to 65°C.</p> <p><b>EMC:</b> Conforms to European Union EMC Directive.</p> <p><b>Safety:</b> Conforms to European Union Low Voltage Directive</p> <p><b>RoHS:</b> Conforms to European Union RoHS Directive</p>
<b>Weight</b>	0.45 kg (1 lb).

### Supplied Accessories

<b>CC-92-1</b>	Set of 20 Cable Ties
<b>TL-23</b>	Screwdriver

### Available Services

<b>7710-3Y-EW</b>	1-year factory warranty extended to 3 years from date of shipment
-------------------	---

### Ordering Information

<b>7710</b>	20-channel Solid-state Differential Multiplexer Module
<b>Warranty</b>	1 year

**Contact Information:**

**Australia\*** 1 800 709 465  
**Austria** 00800 2255 4835  
**Balkans, Israel, South Africa and other ISE Countries** +41 52 675 3777  
**Belgium\*** 00800 2255 4835  
**Brazil** +55 (11) 3759 7627  
**Canada** 1 800 833 9200  
**Central East Europe / Baltics** +41 52 675 3777  
**Central Europe / Greece** +41 52 675 3777  
**Denmark** +45 80 88 1401  
**Finland** +41 52 675 3777  
**France\*** 00800 2255 4835  
**Germany\*** 00800 2255 4835  
**Hong Kong** 400 820 5835  
**India** 000 800 650 1835  
**Indonesia** 007 803 601 5249  
**Italy** 00800 2255 4835  
**Japan** 81 (3) 6714 3010  
**Luxembourg** +41 52 675 3777  
**Malaysia** 1 800 22 55835  
**Mexico, Central/South America and Caribbean** 52 (55) 56 04 50 90  
**Middle East, Asia, and North Africa** +41 52 675 3777  
**The Netherlands\*** 00800 2255 4835  
**New Zealand** 0800 800 238  
**Norway** 800 16098  
**People's Republic of China** 400 820 5835  
**Philippines** 1 800 1601 0077  
**Poland** +41 52 675 3777  
**Portugal** 80 08 12370  
**Republic of Korea** +82 2 6917 5000  
**Russia / CIS** +7 (495) 6647564  
**Singapore** 800 6011 473  
**South Africa** +41 52 675 3777  
**Spain\*** 00800 2255 4835  
**Sweden\*** 00800 2255 4835  
**Switzerland\*** 00800 2255 4835  
**Taiwan** 886 (2) 2656 6688  
**Thailand** 1 800 011 931  
**United Kingdom / Ireland\*** 00800 2255 4835  
**USA** 1 800 833 9200  
**Vietnam** 12060128

\* European toll-free number. If not accessible, call: +41 52 675 3777



Find more valuable resources at [TEK.COM](http://TEK.COM)

Copyright © Tektronix. All rights reserved. Tektronix products are covered by U.S. and foreign patents, issued and pending. Information in this publication supersedes that in all previously published material. Specification and price change privileges reserved. TEKTRONIX and TEK are registered trademarks of Tektronix, Inc. All other trade names referenced are the service marks, trademarks or registered trademarks of their respective companies.

