

# MPI TS50 | 50 mm Manual Probe System

## For accurate and reliable DC/CV and RF measurements

### FEATURES / BENEFITS

#### Flexible Platform

- Designed for research, development and academic use in IC engineering, single die probing
- Ideal platform for load pull and high frequency noise measurement

#### Ergonomic Design

- Solid and stable platform in small footprint (300 x 300 mm) design
- Rigid platen accommodates up to 6 DC or 2 RF positioners
- Simple operation for stage and microscope positioning

#### Upgradability

- Available with various chuck options and wide range of accessories such as DC/RF/mmW MicroPositioners, Optics, microscopes and EMI shielded dark box to support various application requirements



### SPECIFICATIONS

#### Chuck XY Stage (Standard)

Total travel range	100 x 75 mm (3.9 x 3.0 in)
Fine-travel range	25 x 25 mm fine micrometer control
Fine-travel resolution	< 2.0 $\mu\text{m}$ (0.08 mils) @ 500 $\mu\text{m}/\text{rev}$
Planarity	< 10 $\mu\text{m}$
Theta travel (standard)	360°
Theta travel (fine)	$\pm 5.0^\circ$
Theta resolution	$7.5 \times 10^{-3}$ gradient
Movement control	Guided rail with instant lock mechanism

## ■ PROBE PLATEN

### Specifications

Material	Steel
Dimensions	250 mm (Inside), 408 mm (Outside)
Chuck to platen height	min. 5 mm
Max. No of MicroPositioners	6 DC and 2 RF
Platen Z-height movement	High resolution screw for fine control
Z-height adjustment range	Max. 25 mm (1 in)
DC positioner mounting	Magnetic
RF positioner mounting	Magnetic with guide rail

## ■ NON-THERMAL CHUCKS

### Standard Wafer Chuck

Diameter	56 mm
Material	Stainless steel
Chuck surface	Planar with centric engraved vacuum grooves
Vacuum grooves sections (diameter)	4, 16, 30, 44 mm
Vacuum actuation	Multizone control - All connected in meander shape, center hole in 4 mm diameter
Supported DUT sizes	Single DUT 5 x 5 mm size or wafers up to 50 mm (2 in)*
Surface planarity	$\leq \pm 5 \mu\text{m}$
Rigidity	$< 15 \mu\text{m} / 10 \text{ N @edge}$

\*Single DUT testing requires higher vacuum conditions dependent upon testing application.

### RF Wafer Chuck

Diameter	50 mm with 1 integrated AUX area
Material	Stainless steel with HF/OPTO surface (flat with 0.5 mm holes)
Chuck surface	Planar with 0.5 mm diameter holes in centric sections
Vacuum holes sections (diameter)	4, 16, 30, 44 mm
Vacuum holes actuation	Multizone control - vacuum hole on top, all connected at bottom in meander shape
Supported DUT sizes	Single DUT 5 x 5 mm size or wafers up to 50 mm (2 in)*
Surface planarity	$\leq \pm 5 \mu\text{m}$
Rigidity	$< 15 \mu\text{m} / 10 \text{ N @edge}$

\*Single DUT testing requires higher vacuum conditions dependent upon testing application.

### Auxiliary Chuck

Quantity	1 AUX chuck
Position	Integrated to rear side of main chuck
Substrate Size (W x L)	Max. 25 x 25 mm (1.0 x 1.0 in)
Material	Ceramic, RF absorbing material for accurate calibration
Surface planarity	$\leq \pm 5 \mu\text{m}$
Vacuum control	Controlled independently, separate from chucks

**Electrical Specification (Coax)**

Operation voltage	Standard - in accordance with EC 61010, certificates for higher voltages available upon request
Maximum voltage between chuck top and GND	500 V DC
Isolation	> 2 GΩ

**FACILITY REQUIREMENTS**

Power	100-240 V AC nominal; 50/60 Hz for optical accessories* only
Vacuum	-0.5 bar (for single DUT) / -0.3 bar (for wafers)
Compressed air	6.0 bar

\* e.g. microscope illumination, CCD cameras, monitors

**REGULATORY COMPLIANCE**

- Certification: CE

**WARRANTY**

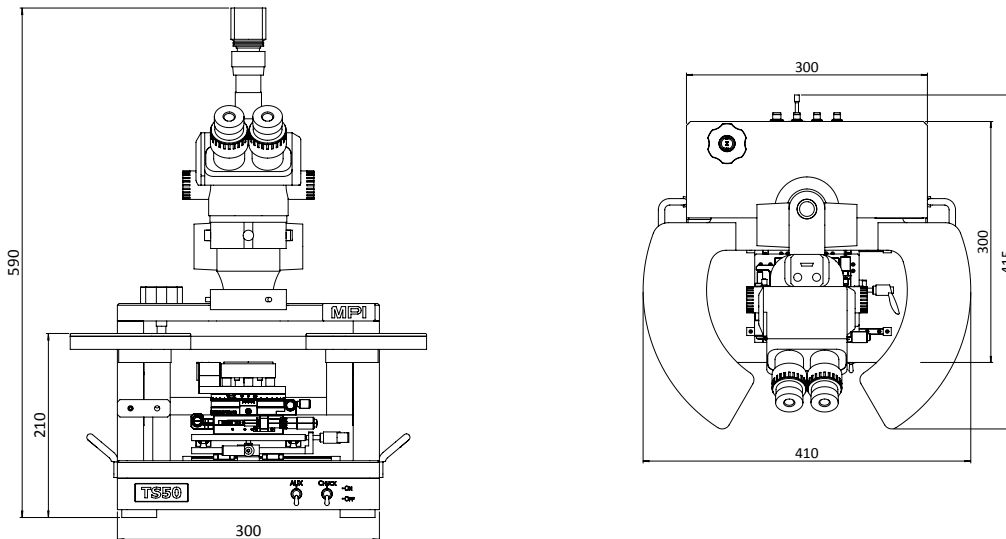
- Warranty\*: 12 months
- Extended service contract: contact MPI Corporation for more information

**PHYSICAL DIMENSIONS**

**Station Platform with Bridge\***

Dimensions (W x D x H)	300 x 300 x 590 mm (11.8 x 11.8 x 23.2 in)
Weight	~30 kg (66 lb.)

\*Station accessories, such as dark box, cameras or laser cutters, may increase the total height to up to 794 mm (31.3 in).



\*See MPI Corporation's Terms and Conditions of Sale for more details.

Direct contact:  
 Asia region: ast-asia@mpi-corporation.com  
 EMEA region: ast-europe@mpi-corporation.com  
 America region: ast-americas@mpi-corporation.com

MPI global presence: for your local support, please find the right contact here:  
[www.mpi-corporation.com/ast/support/local-support-worldwide](http://www.mpi-corporation.com/ast/support/local-support-worldwide)

**MPI Global Presence**

